

Digital Timer

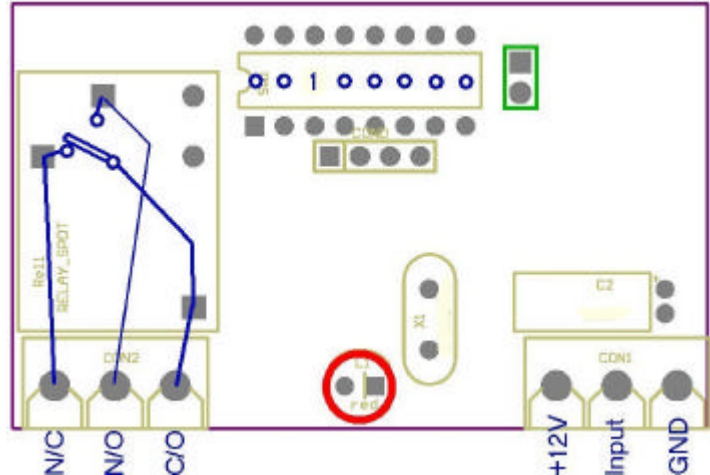
Model Timer54v1

settable range: 0.25 – 63.75 seconds

in steps of 0.25 sec



72 x 50 x 25mm



Operation:

When the Input voltage goes high (eg. +12V) the red LED starts flashing and the timer counts down for the time period set by the DIP switches.

After countdown, the relay is activated and the LED is on solid until the Input goes low.

If a link is inserted as shown by the green line, the relay stays on for only 1.2 sec.s.

To restart the timer, the Input has to go low before starting another sequence.

+12V and Input can be connected together.

The only disadvantage is that the output pulse will be interrupted when the supply & input falls away while the relay is activated.

Each switch adds its own time when in the ON position.

The time values for switches 1 – 8 are as follows:

| 0.25 | 0.5 | 1 | 2 | 4 | 8 | 16 | 32 | (in seconds)

For example, 13 seconds = 1 + 4 + 8.

The switches will be set as follows:

| 0 | 0 | 1 | 0 | 1 | 1 | 0 | 0 |

| 0.25 | 0.5 | 1 | 2 | 4 | 8 | 16 | 32 |

The +12V and Input can be connected together to make wiring easier or to save off-state power.

Then however, the 1.2 sec. pulse will be shortened if the input stops during that time.